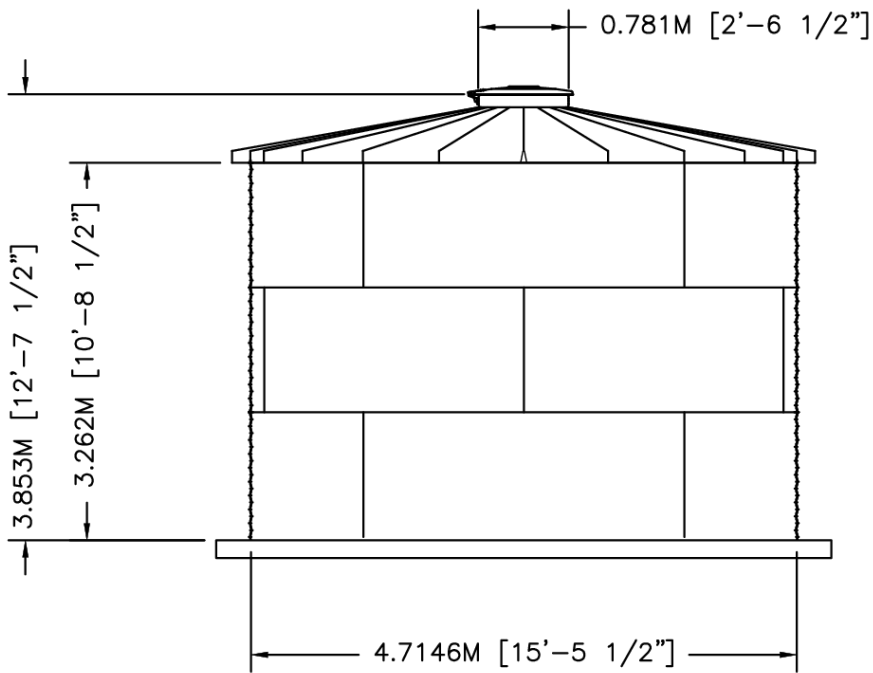


PLAN



ELEVATION



	BY	DATE	TITLE	
DWN	XXX	XX/XX/XX	WTU05-03 30"PR 10DEG V-RIB	
CKD			NOMINAL CAPACITY - 54.764 M3 [14,467 GAL]	
ENG			DWG. NO.	REV. NO.
			SCT1503-LVR WTU05-03	
			SIZE: A	SCALE: 3/16"=1'-0"
			SHEET 1	OF 1